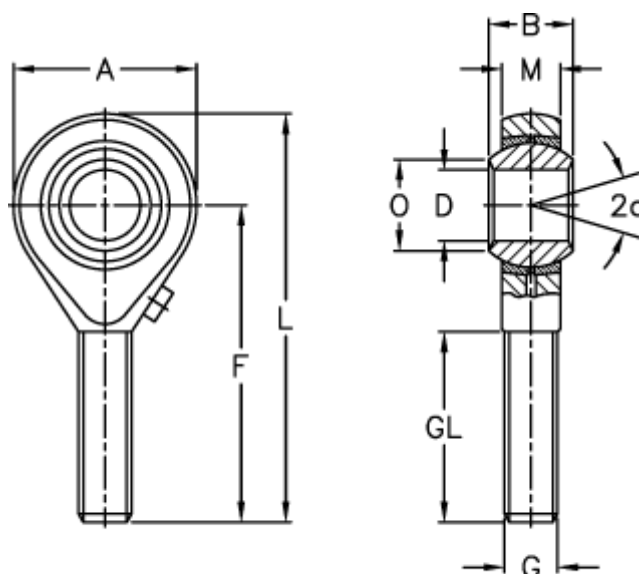


Article number: 03076008

Description: Fluro Rod End GA-A 8  
without backlash, zinc plated

## Measures



Str. 5 uden smørenippel

A	= 24	L	= 54
a (degrees)	= 14	M	= 9
B	= 12	O	= 10.4
D	= 8	Permissible rpm	= 620
Dynamic load C (kN)	= 5.4	Static load C0 (kN)	= 11
F	= 42	Weight (g)	= 33
g	= M8		
GL	= 25		